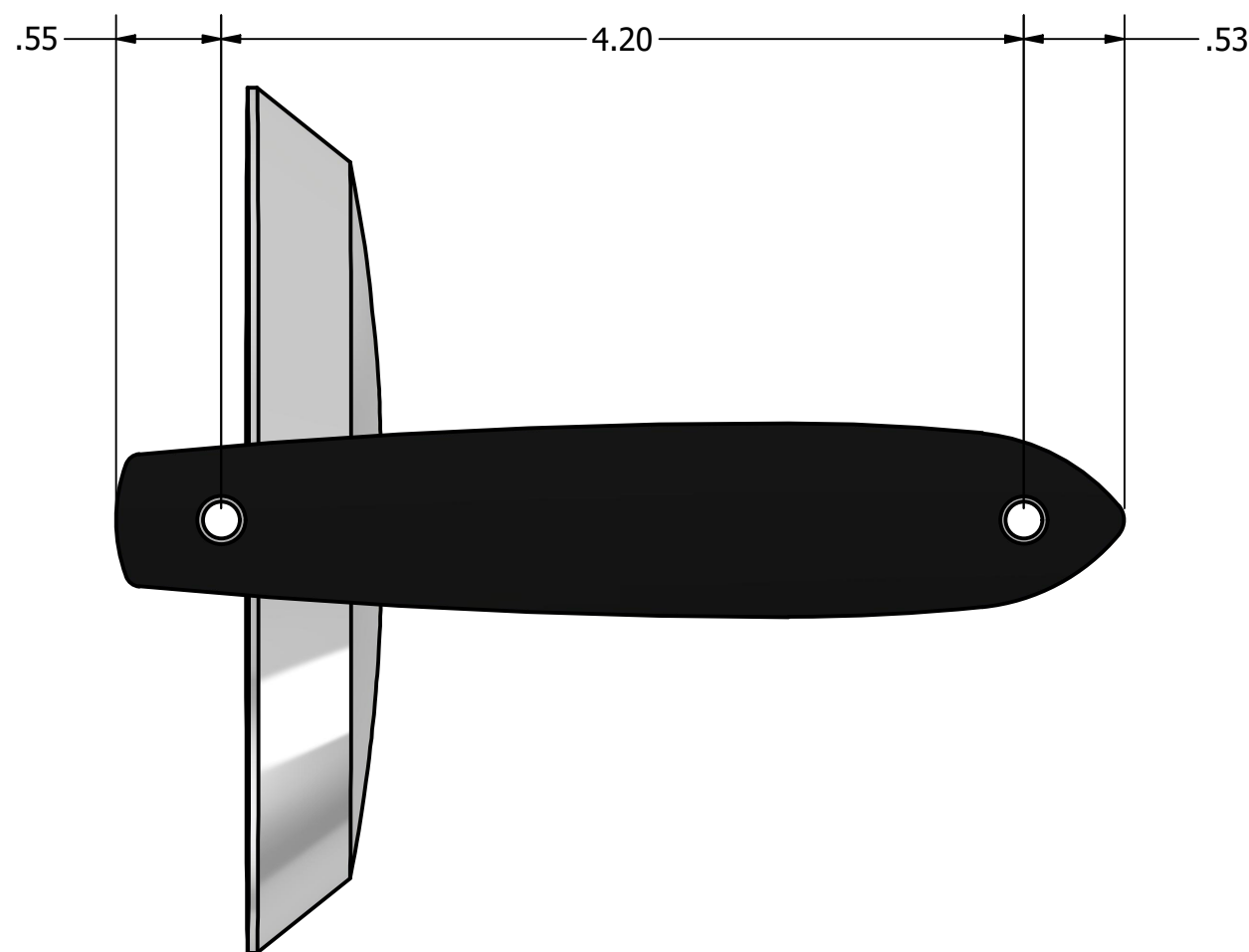
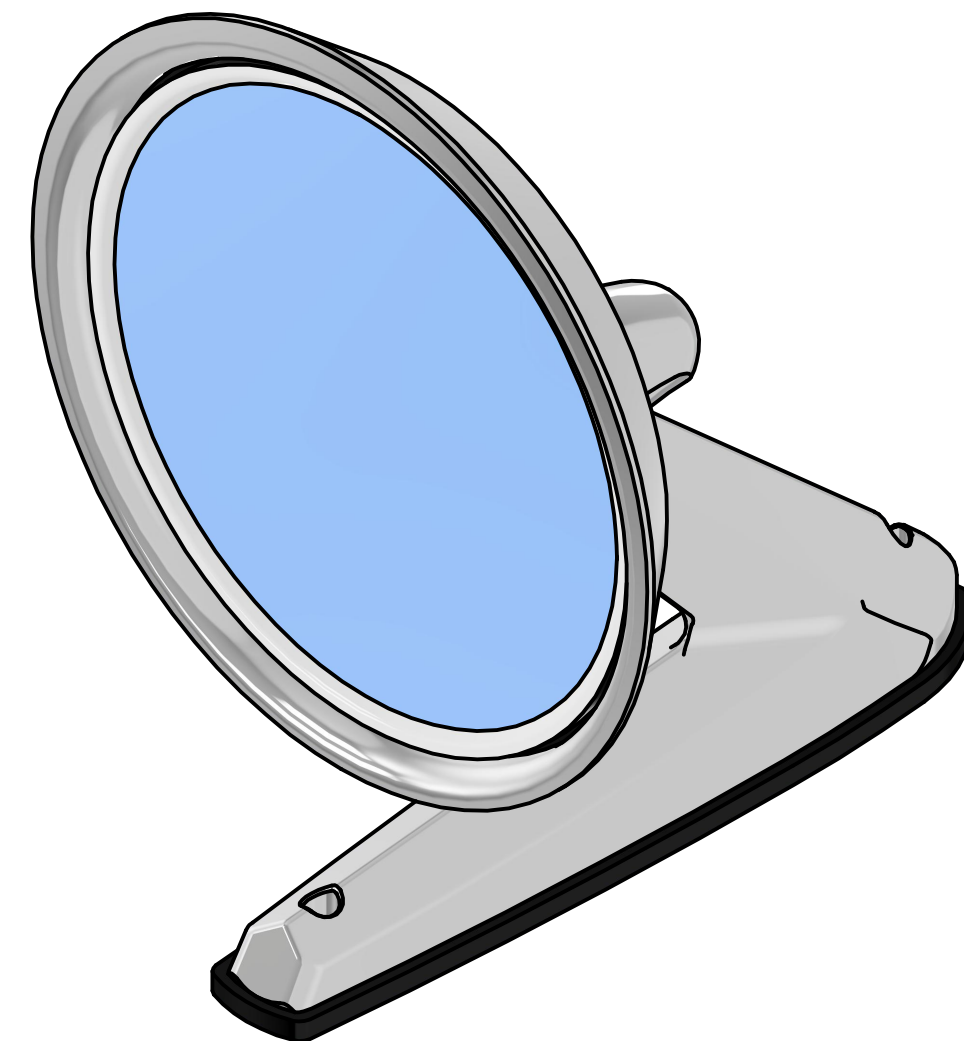
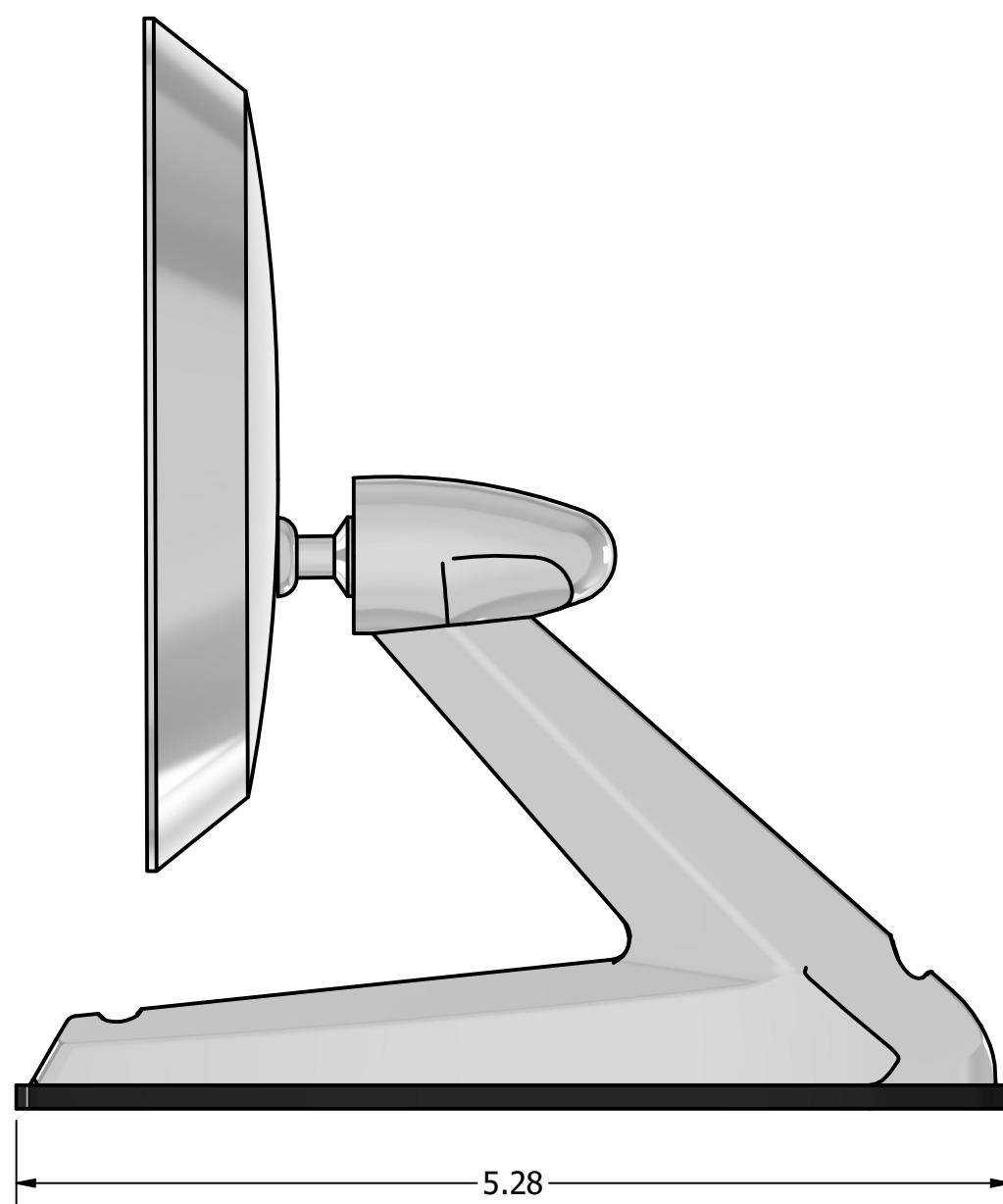
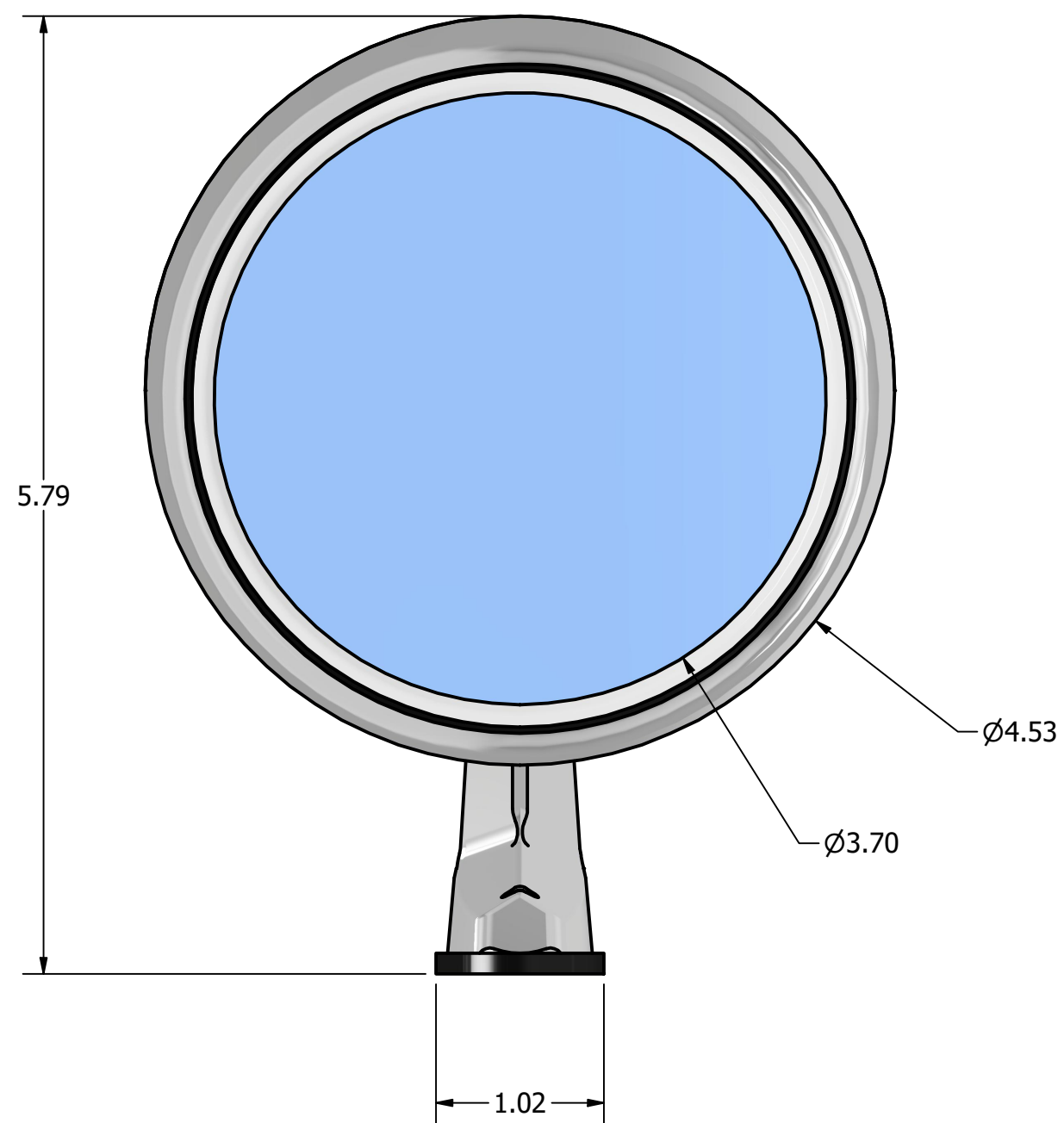


NOTES

REVISION HISTORY				
ZONE	REV	DESCRIPTION	DATE	APPROVED
	-	initial release		-



NEXT ASM.	USED ON

THIS DOCUMENT CONTAINS CONFIDENTIAL PROPRIETARY INFORMATION AND IS THE PROPERTY OF **TOMS OFFROAD**. NO USE, DISCLOSURE OR REPRODUCTION IS GRANTED TO ANY THIRD PARTIES WITHOUT THE EXPLICIT WRITTEN PERMISSION OF **TOMS OFFROAD**.

TOLERANCES UNLESS OTHERWISE SPECIFIED:			
ANGULAR: ±0.5			
INCH		MM	
.X	±0.1	X	±2.5
.XX	±0.01	.X	±0.25
.XXX	±0.005	.XX	±0.13

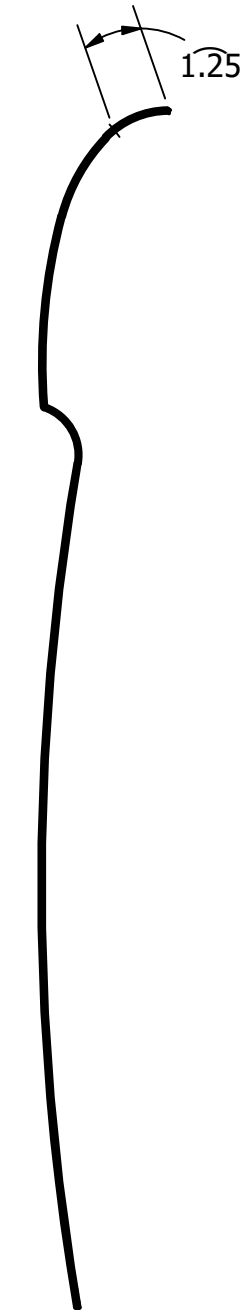
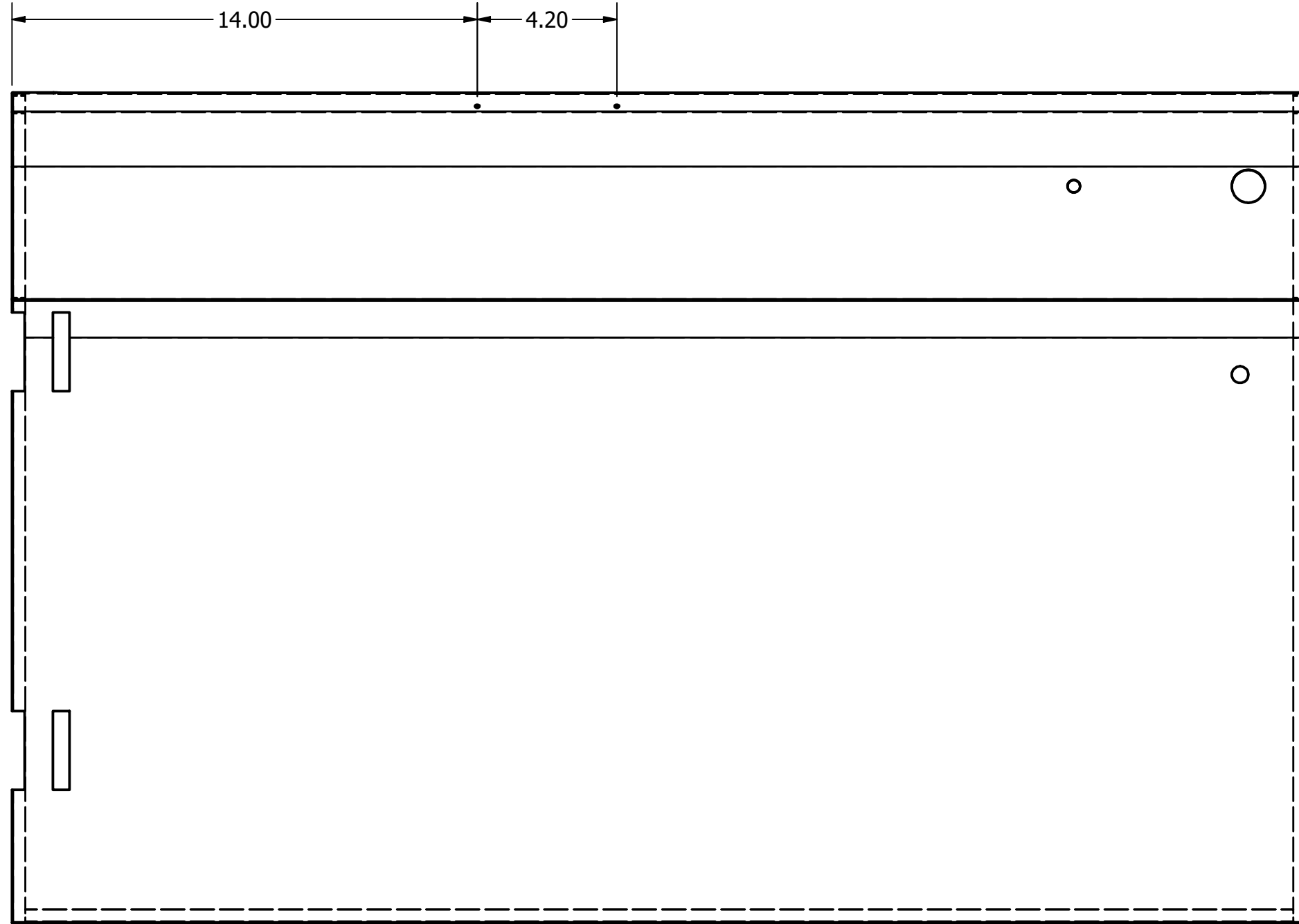


DRAWN JM
APPROVED -
12/27/2022

MATERIAL/ FINISH		Steel/		
TITLE				
Side Mirror, 66-67 Bronco				
SIZE	DWG NO	REV		
C	1610	-		
SCALE	1 : 1		SHEET 1 OF 2	

NOTES:

1. 66-67 side mirror mounting hole locations



DRAWN JM	12/27/2022	TOMS OFFROAD		
CHECKED		TITLE		
QA		Side Mirror, 66-67 Bronco		
MFG		SIZE	DWG NO	REV
APPROVED		C	1610	-
		SCALE	1 / 4	SHEET 2 OF 2