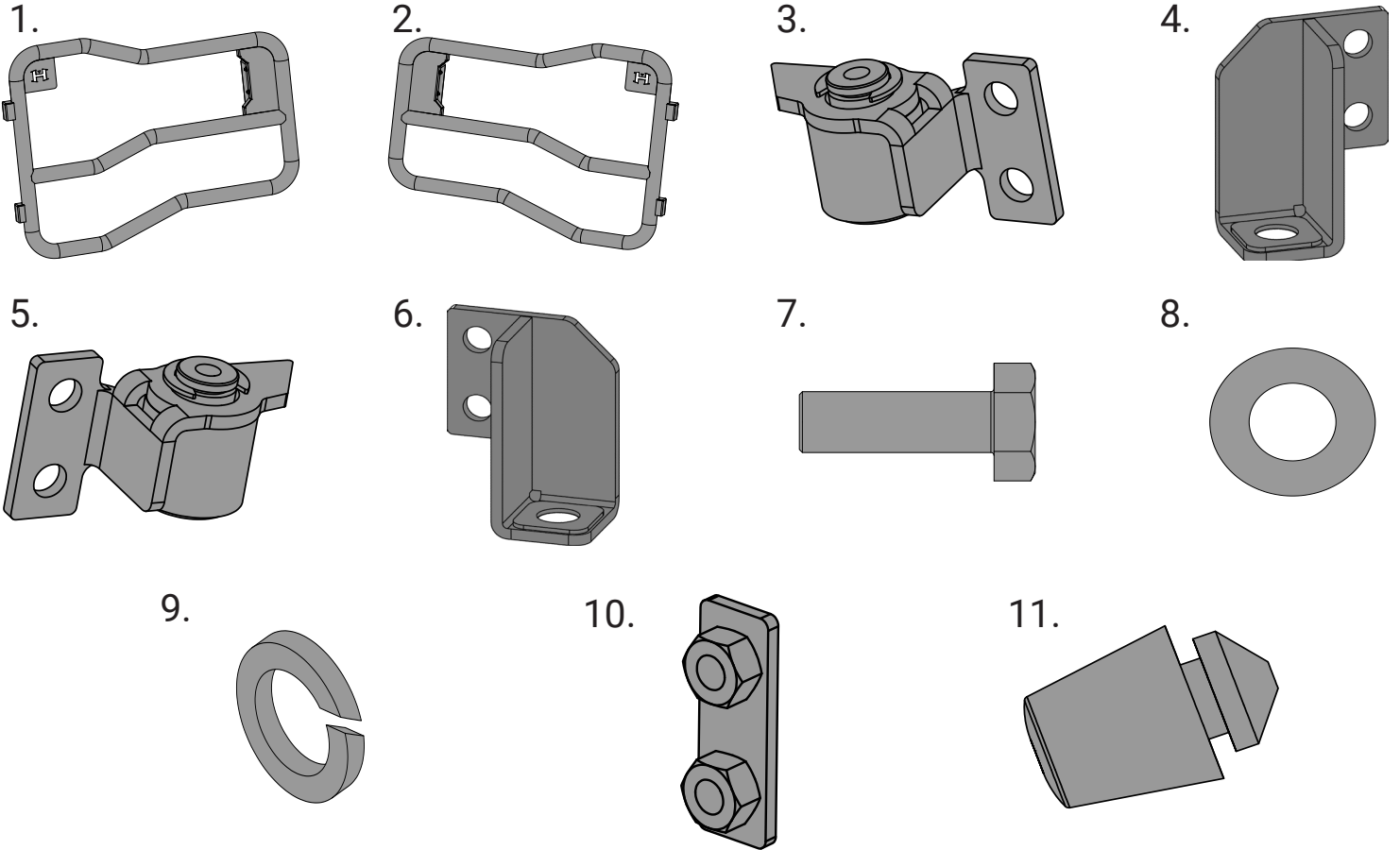


## Components and Hardware: Front



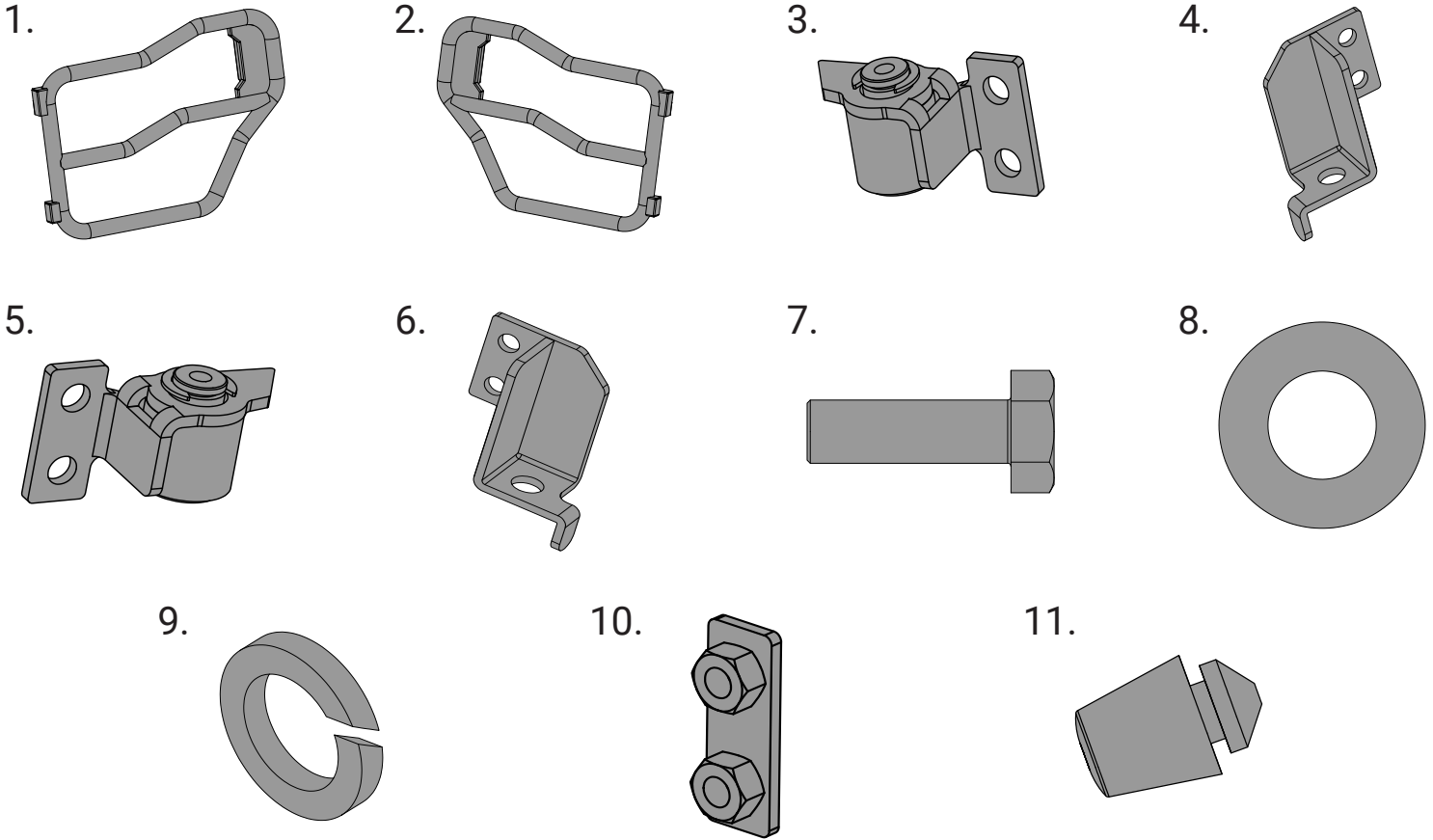
## Components and Hardware: Front

1. Driver Tube Door, Front.....	(1)
2. Passenger Tube Door, Front.....	(1)
3. Driver Side Upper Bracket, Front.....	(1)
4. Driver Side Lower Bracket, Front.....	(1)
5. Passenger Side Upper Bracket, Front.....	(1)
6. Passenger Side Lower Bracket, Front.....	(1)
7. M8 Hex Head Bolt.....	(8)
8. M8 Washer.....	(8)
9. M8 Lock Washer.....	(4)
10. Nut Plate.....	(4)
11. Rubber Bumper.....	(2)

## Tools for Installation:

- 13mm Socket Wrench
- 13mm Wrench

## Components and Hardware: Rear



## Components and Hardware: Rear

1. Driver Tube Door, Rear .....	(1)
2. Passenger Tube Door, Rear .....	(1)
3. Driver Side Upper Bracket, Rear .....	(1)
4. Driver Side Lower Bracket, Rear .....	(1)
5. Passenger Side Upper Bracket, Rear .....	(1)
6. Passenger Side Lower Bracket, Rear .....	(1)
7. M8 Hex Head Bolt .....	(8)
8. M8 Washer .....	(8)
9. M8 Lock Washer .....	(4)
10. Nut Plate .....	(4)
11. Rubber Bumper .....	(2)

## Tools for Installation:

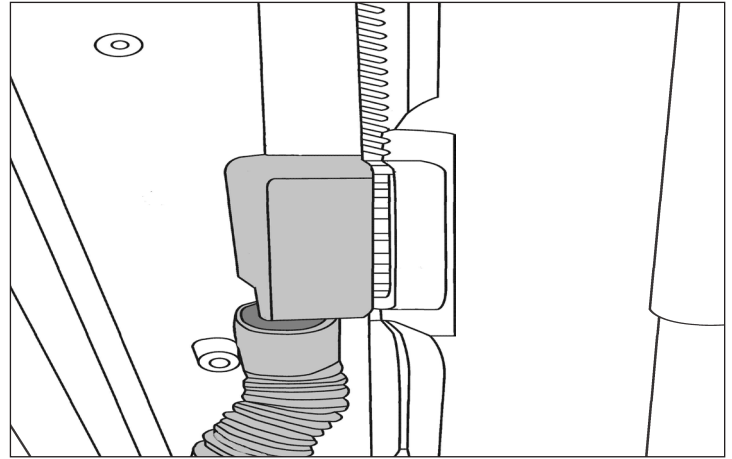
- 13mm Socket Wrench
- 13mm Wrench

## Tube Doors, 2 & 4 Door

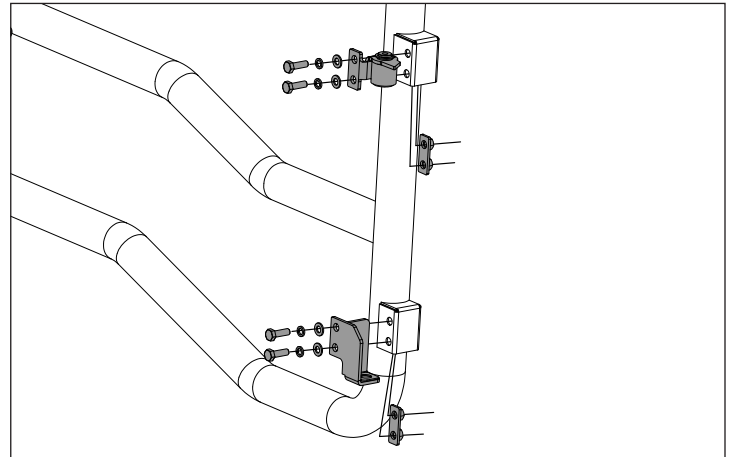
**NOTE:** Installation steps show Driver Side Front. Repeat this process for Passenger Side Front and Rear Set.

1. Disconnect OE wire harness. Remove door from vehicle as instructed in factory supplied user manual.

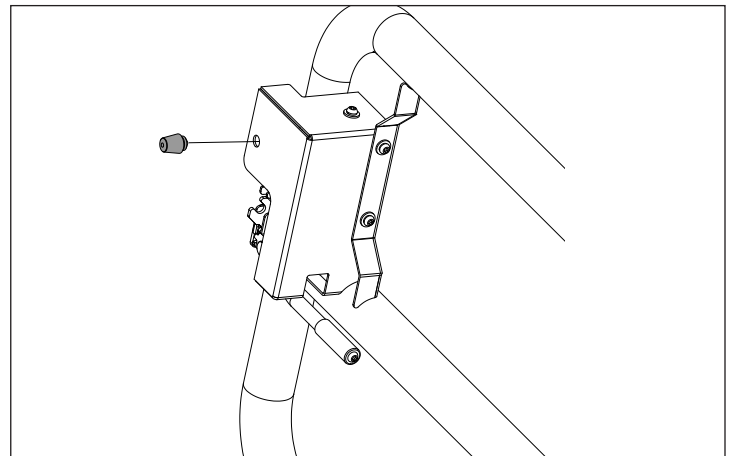
**Notice:** Door removal may require assistance from another person.



2. Loosely attach upper and lower hinge using supplied M8 hardware.



3. Attach rubber bumper to inside of the tube door near the latch.

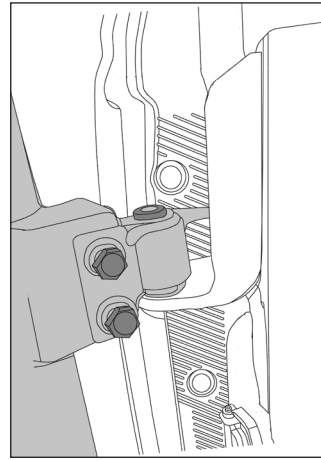


## Tube Doors, 2 & 4 Door

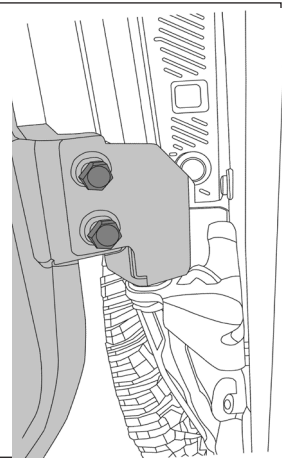
4. Using caution, slowly insert Tube Door in door hinges and reinstall factory hardware.

**Notice:** Tube Door installation may require assistance from another person.

TOP HINGE



BOTTOM HINGE



5. Close Tube Door and tighten hinge bracket hardware. Open and close door to ensure hinge brackets are properly aligned and fully seated.

**Notice:** If door does not close after alignment, loosen M6 bolts securing the latch to the door. Adjust latch until door closes properly.

